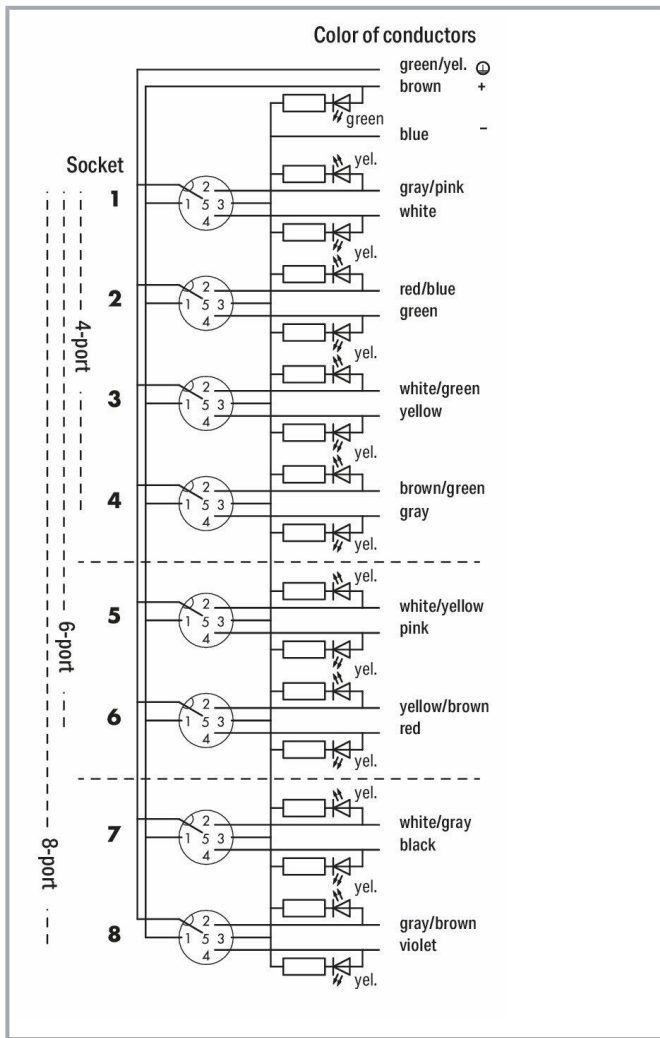


Subject to changes. Please also observe the further product documentation!

WAGO GmbH & Co. KG  
 Hansastr. 27  
 32423 Minden  
 Phone: +49571 887-0 | Fax: +49571 887-169  
 Email: [info.de@wago.com](mailto:info.de@wago.com) | Web: [www.wago.com](http://www.wago.com)

Do you have any questions about our products?  
 We are always happy to take your call at +49 (571) 887-44222.



### Item description

- M12 sensor/actuator box, 8-way
- 5-pole (2 signals per contact)
- Cable length: 5, 10 and 25 m
- Green LED operating indicator
- Yellow LED status indicator
- incl. markers (10 pcs)
- incl. M12 protective caps (2 pcs)

Subject to changes. Please also observe the further product documentation!



## Data

### Technical data

Contact resistance (max.)	0.01 $\Omega$
Supply voltage	10 ... 30 VDC; Rated voltage: 32 V ~ rms
Current carrying capacity (signal connections)	2 A
Current carrying capacity (supply connections)	9 A
Rated value of electrical isolation	500 V
Functionally separated potential groups	Kontakt/Kontakt
Insulation resistance	1000 M $\Omega$
Signal characteristic	PNP
Indicators	LED (A, B) yellow: Signal status (2 x per contact); LED (U) green: Sensor/actuator box status

### Connection data

Connection technology: inputs/outputs	8 x M12 socket; 5-pole; incl. ground
Connection technology: trunk cable	1 x Fixed connecting cable
Length of connecting cable	5 m
Strip length	100 mm / 3.94 inch
Wire colors	white, gray/pink, green, red/blue, yellow, white/green, gray, brown /green, pink, white/yellow, red, yellow/brown, black, white/gray, purple, gray/brown, green/yellow, brown, blue
Cable design	Wire cross-section: 0.34 mm <sup>2</sup> ; Wire cross-section 2: 1 mm <sup>2</sup>

### Physical data

Width	60 mm / 2.362 inch
Height	26 mm / 1.024 inch
Depth	152 mm / 5.984 inch

### Mechanical data

Mounting type	Screw mounting
---------------	----------------

### Material data

Housing material	PA 66 (UL 94 V0); RAL 7035; silicon and halogen free
Halogen-free	Yes
Sheathed cable diameter	9.7 mm

Subject to changes. Please also observe the further product documentation!

WAGO GmbH & Co. KG  
 Hansastr. 27  
 32423 Minden  
 Phone: +49571 887-0 | Fax: +49571 887-169  
 Email: [info.de@wago.com](mailto:info.de@wago.com) | Web: [www.wago.com](http://www.wago.com)

Do you have any questions about our products?  
 We are always happy to take your call at +49 (571) 887-44222.



Bending radius	10 x cable diameter (min.) for flexible application
Material properties of the connections	Contact: CuSn, nickel base-coat plating and 0.8 µm gold-plated; Threaded bush: die-cast Zn, nickel-plated; Seal: Viton; 50 mating cycles
Sheath material	PUR
Encapsulation	Fully encapsulated with conformal coating (UL 94 V0)

## Environmental requirements


Surrounding air temperature (operation)	-25 ... +80 °C
Surrounding air (operating) temperature (dynamic)	-5 ... +80 °C
Surrounding air (operating) temperature (static)	-40 ... +80 °C
Protection type	IP68
Note on protection type	72 h at a depth of 1 m under water per EN 60529 in the fully locked position with its plugs or protective caps
Pollution degree (5)	3 per VDE 0110
Vibration resistance	per IEC 60068-2-6
Shock resistance	per IEC 60068-2-27

## Commercial data

PU (SPU)	1 Stück
Packaging type	box
Country of origin	DE
GTIN	4045454028480
Customs tariff number	85366990990

## Approvals / Certificates

### UL-Approvals

Logo	Approval	Additional Approval Text	Certificate name
	UL UL International Germany GmbH (ORDINARY LOCATIONS)	UL 508	E175199 Sec.5

## Optional accessories

### Marking accessories

Marking strip
---------------

Subject to changes. Please also observe the further product documentation!

WAGO GmbH & Co. KG  
Hansastr. 27  
32423 Minden  
Phone: +49571 887-0 | Fax: +49571 887-169  
Email: [info.de@wago.com](mailto:info.de@wago.com) | Web: [www.wago.com](http://www.wago.com)

Do you have any questions about our products?  
We are always happy to take your call at +49 (571) 887-44222.



Item no.: 757-011

Marker card; not stretchable; snap-on type; white

[www.wago.com/757-011](http://www.wago.com/757-011)

Marking device



Item no.: 210-110

Fiber-tip pen

[www.wago.com/210-110](http://www.wago.com/210-110)

## Downloads

### Documentation

#### Additional Information

Disposal; Electrical and electronic equipment, Packaging	V 1.0.0	pdf 265.8 kB	Download
--	---------	-----------------	----------

#### System Description

Sensor/Actuator Boxes – General Product Information		pdf 537.3 kB	Download
---	--	-----------------	----------

## CAD/CAE-Data

### CAD data

2D/3D Models 757-285/000-005		URL	Download
------------------------------	--	-----	----------

### CAE data

EPLAN Data Portal 757-285/000-005		URL	Download
-----------------------------------	--	-----	----------

WSCAD Universe 757-285/000-005		URL	Download
--------------------------------	--	-----	----------

ZUKEN Portal 757-285/000-005		URL	Download
------------------------------	--	-----	----------

WSCAD Universe 757-285/000-005		URL	Download
--------------------------------	--	-----	----------

EPLAN Data Portal 757-285/000-005		URL	Download
-----------------------------------	--	-----	----------

## Environmental Product Compliance

### Compliance Search

Environmental Product Compliance 757-285/000-005 M12 sensor/actuator box; 8-way; 5-pole; 5m connecting cable		URL	Download
---	--	-----	----------

Subject to changes. Please also observe the further product documentation!



## Installation Notes

Subject to changes. Please also observe the further product documentation!

---

WAGO GmbH & Co. KG  
Hansastr. 27  
32423 Minden  
Phone: +49571 887-0 | Fax: +49571 887-169  
Email: [info.de@wago.com](mailto:info.de@wago.com) | Web: [www.wago.com](http://www.wago.com)

Do you have any questions about our products?  
We are always happy to take your call at +49 (571) 887-44222.